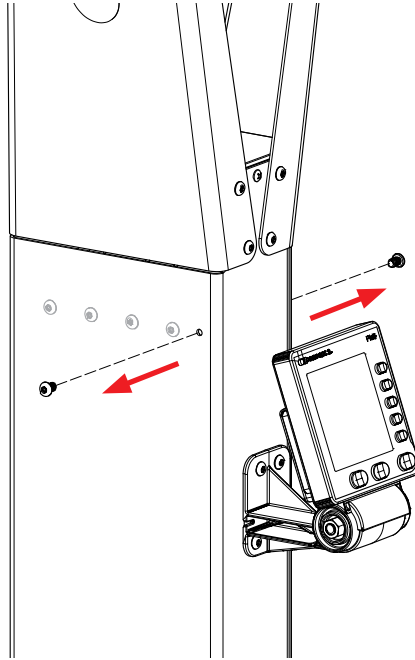


# INSTALLING SKIERG HANDLE HOOKS

1



2

