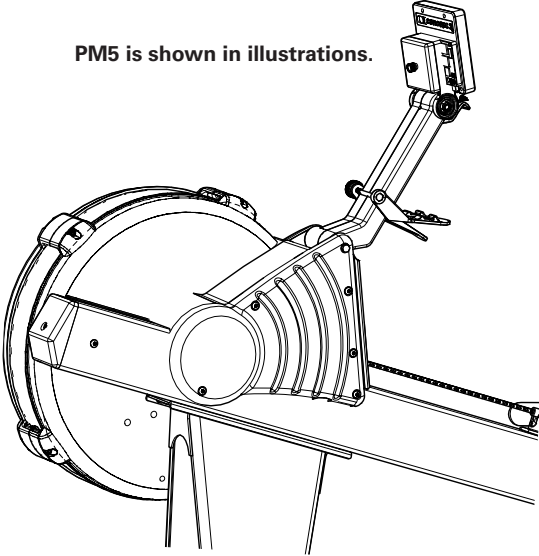


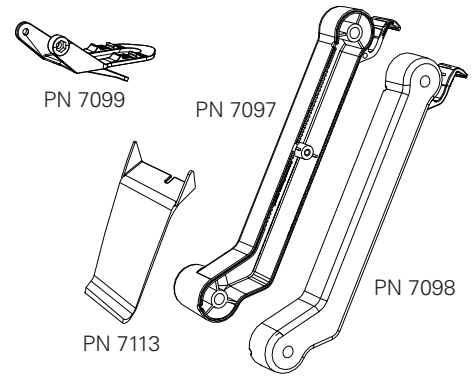
DEVICE HOLDER INSTALLATION FOR MODEL E ROWERG

PM5 is shown in illustrations.



PARTS *not to scale

- x 1 3.25" (8.26 cm) PN 1224
- x 1 1" (2.54 cm) PN 1279
- x 1 5" (12.7 cm) PN 2455
- x 1 PN 7120
- x 1 PN 2216
- x 1 PN 2394
- x 2 PN 7143



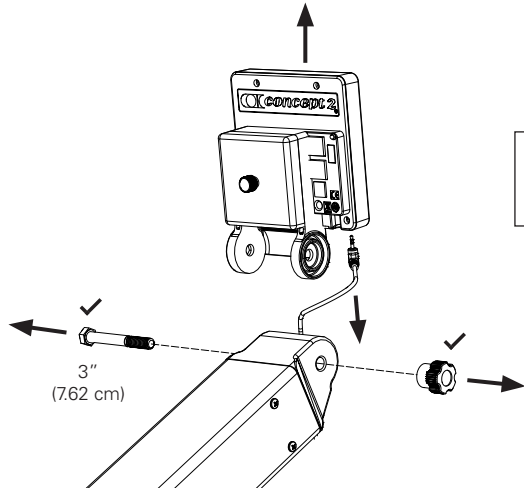
For PM3 and PM4

- x 1 3" (7.62 cm) PN 1268
- x 1 PN 1271
- x 1 PN 7112

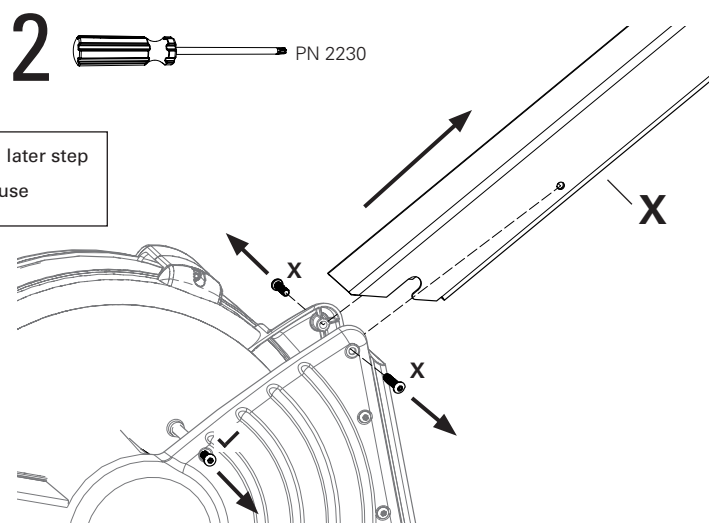
TOOLS *not included

- Phillips Screwdriver x 1
- Wrench 7/16" (11 mm) x 1
- T-27 Driver PN 2230 x 1
- Wrench 9/16" (14 mm) x 1

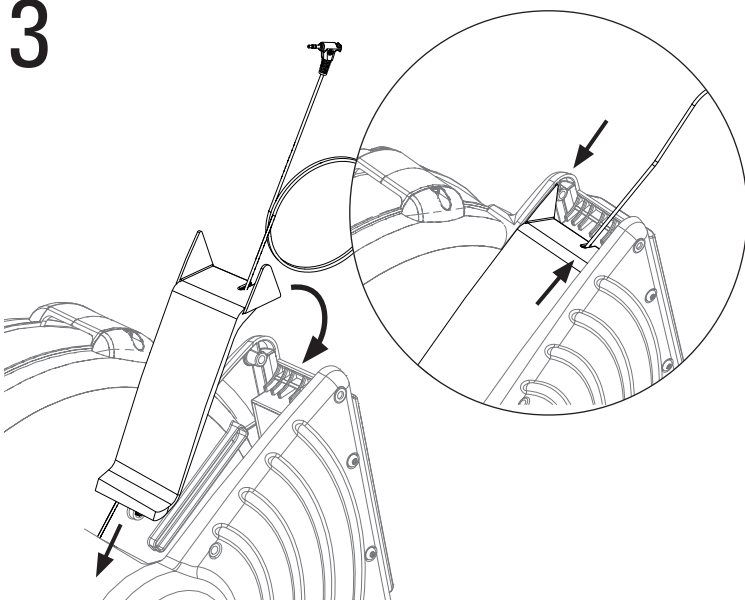
1



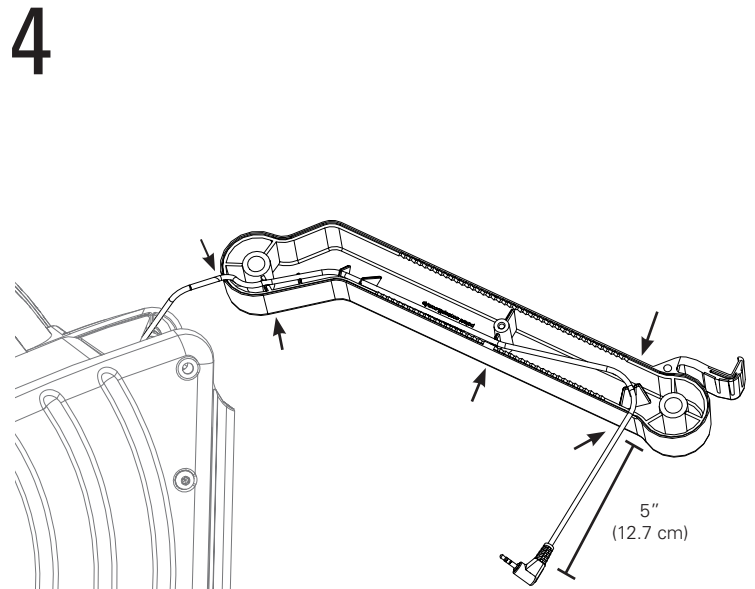
2



3



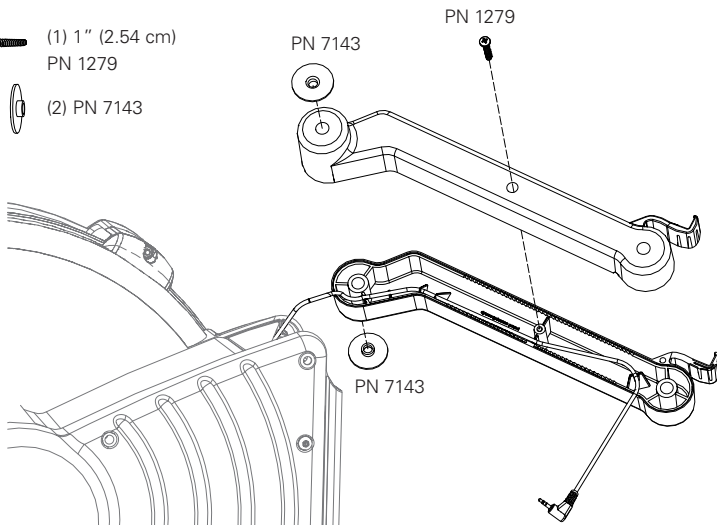
4



DEVICE HOLDER INSTALLATION FOR MODEL E ROWERG

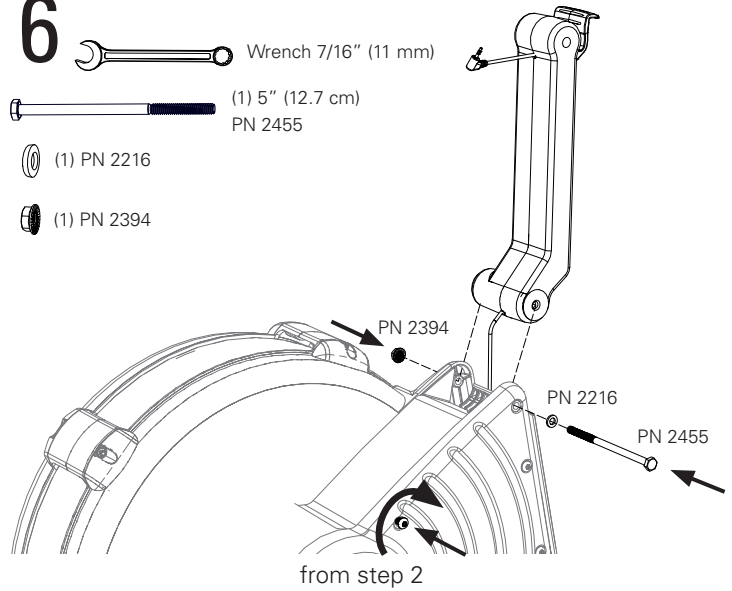
5 Phillips Screwdriver

- (1) 1" (2.54 cm) PN 1279
- (2) PN 7143



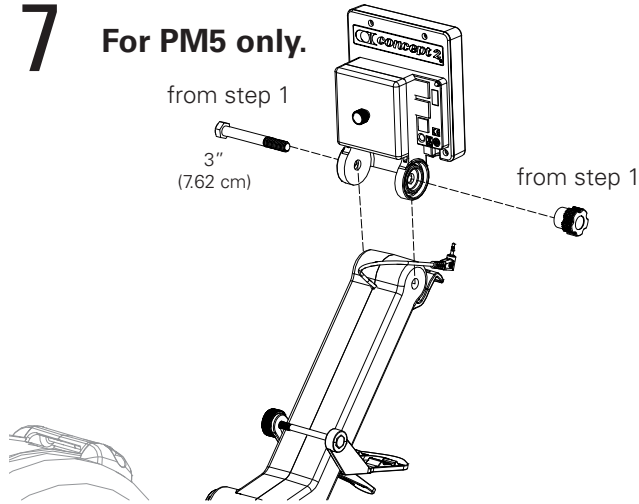
6 Wrench 7/16" (11 mm)

- (1) 5" (12.7 cm) PN 2455
- (1) PN 2216
- (1) PN 2394



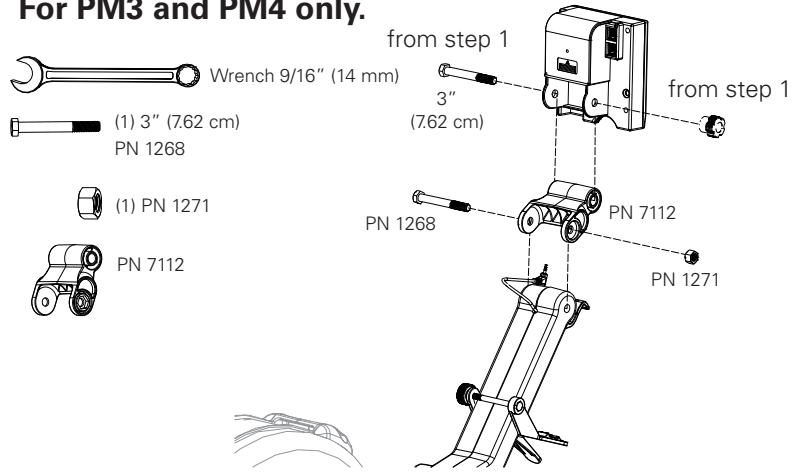
7 For PM5 only.

- from step 1
- 3" (7.62 cm)
- from step 1

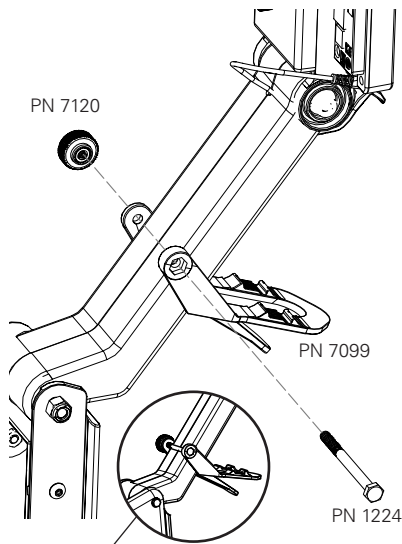


For PM3 and PM4 only.

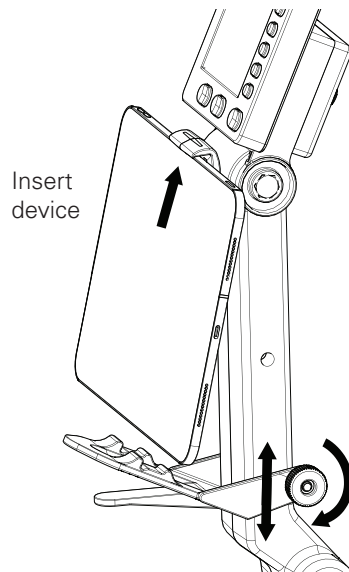
- Wrench 9/16" (14 mm)
- (1) 3" (7.62 cm) PN 1268
- (1) PN 1271
- PN 7112
- from step 1
- 3" (7.62 cm)
- from step 1
- PN 1268
- PN 7112
- PN 1271



How to Use the Device Holder



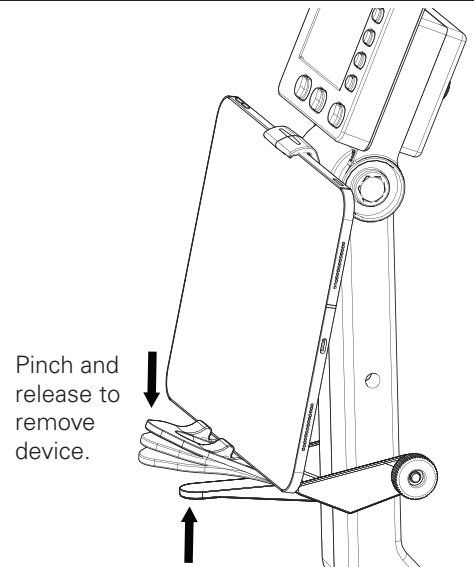
Note: PN 1224 goes behind the arm



Insert device

Loosen knob to slide lower bracket up or down.

Important: Tighten knob when device is in place.



Pinch and release to remove device.