

concept 2 **BikeERG** ASSEMBLY INSTRUCTIONS

PARTS

*not to scale

x 16
3/4" (1.9 cm)
PN 2233

x 2
3" (7.62 cm)
PN 1267

x 1
3/8" (1 cm)
PN 1238

T27 6-Lobe Driver

x 1
3" (7.6 cm)
PN 1268

x 1
PN 1271

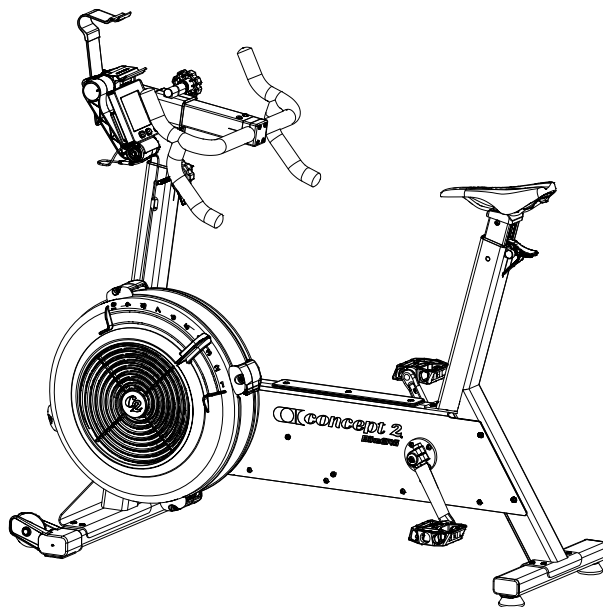
x 6
1/2" (1.3 cm)
PN 1299

x 1
PN 7120

6 mm L-key

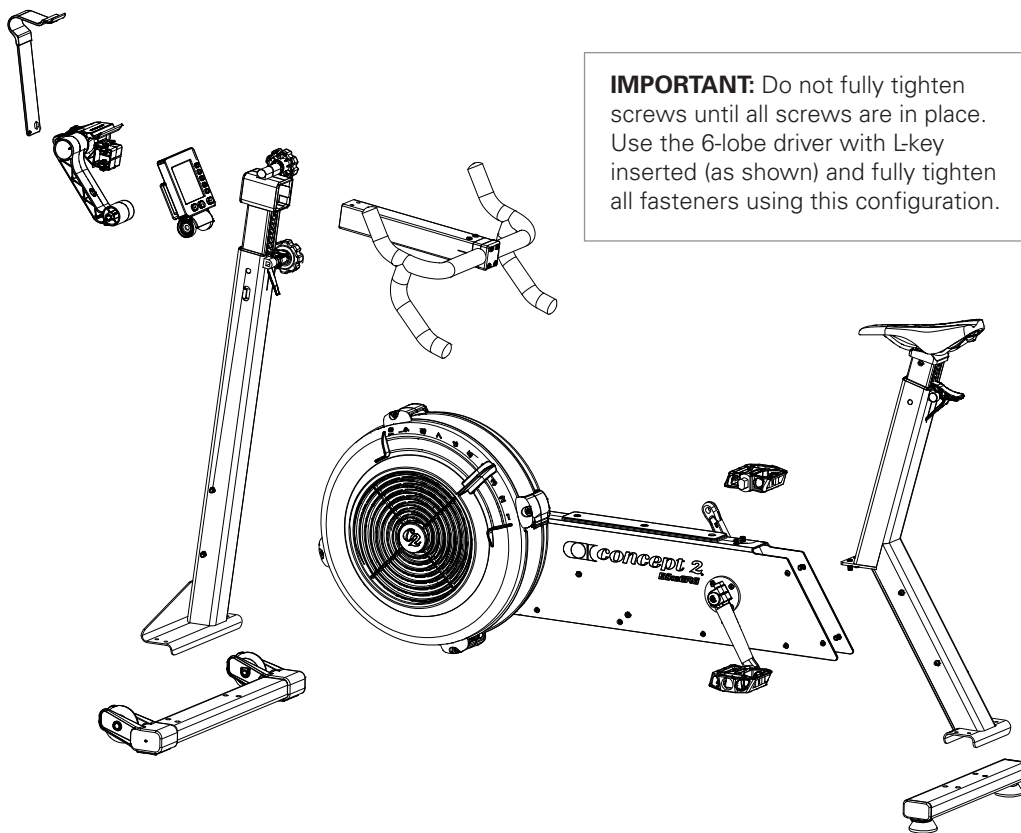
x 1
3 1/4" (8.3 cm)
PN 1224

x 1
Slide Rail/Wrench
PN 7104

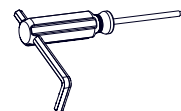


BikeErg weight: 68 lb (31 kg)

Space required for use (training area): 48 in x 60 in (122 cm x 152 cm)



IMPORTANT: Do not fully tighten screws until all screws are in place. Use the 6-lobe driver with L-key inserted (as shown) and fully tighten all fasteners using this configuration.



Questions? Comments? Problems?

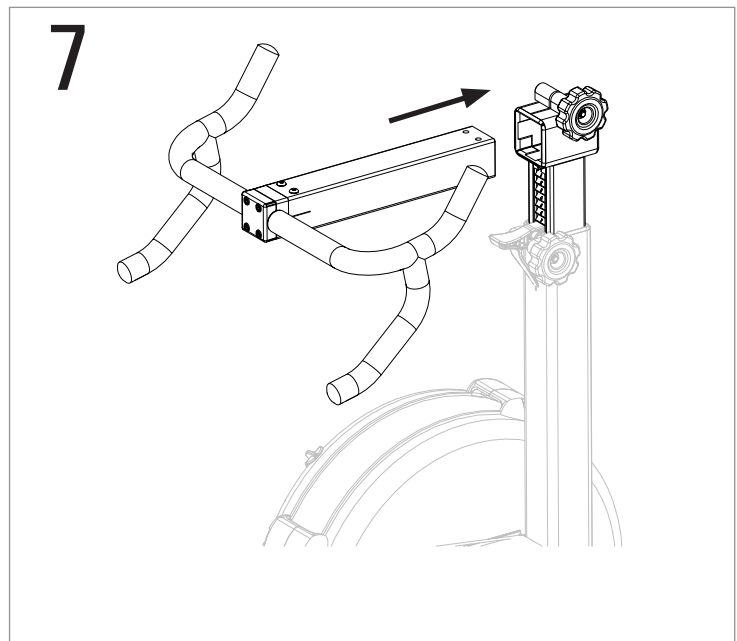
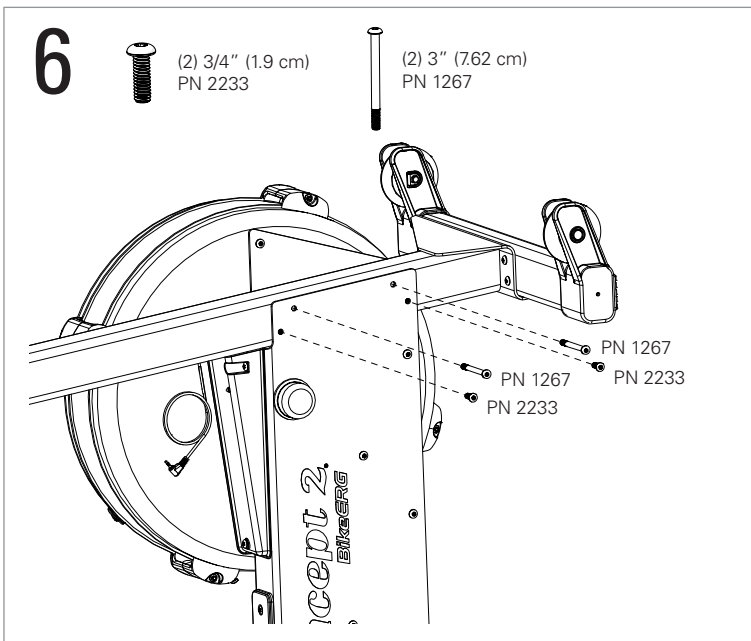
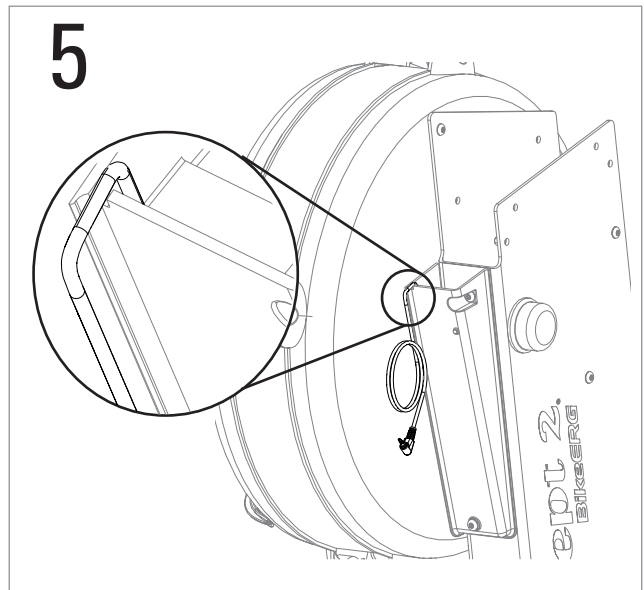
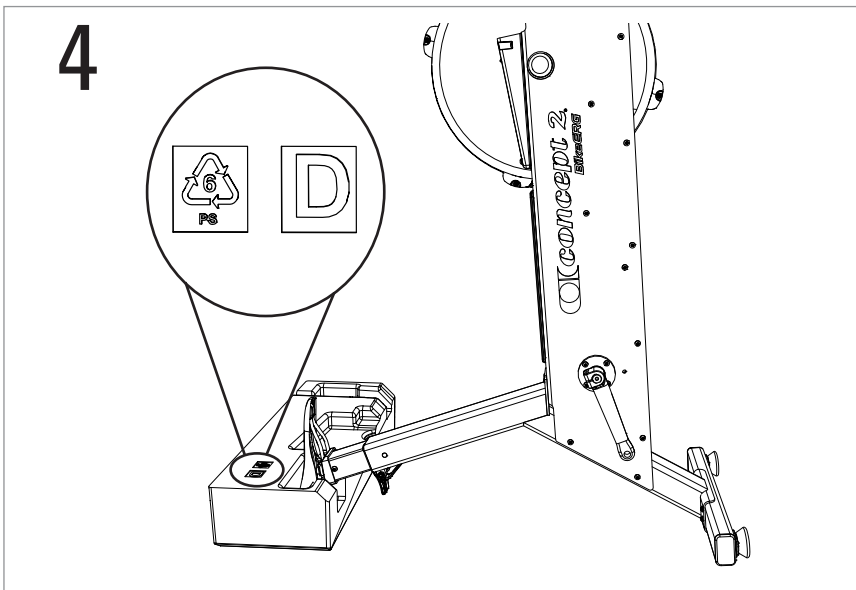
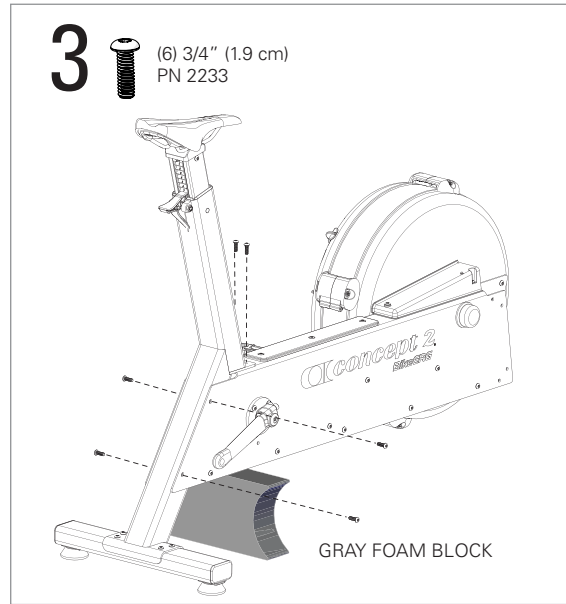
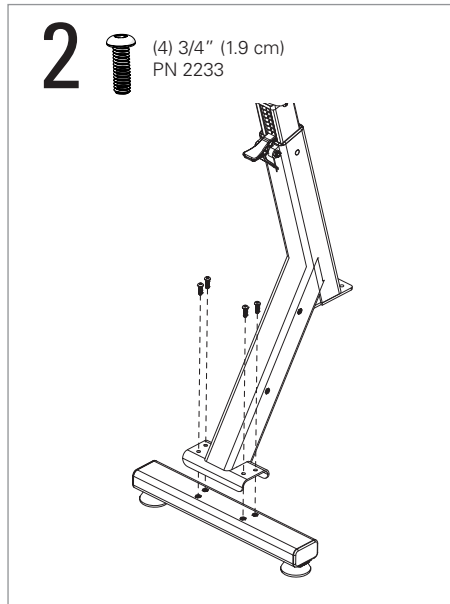
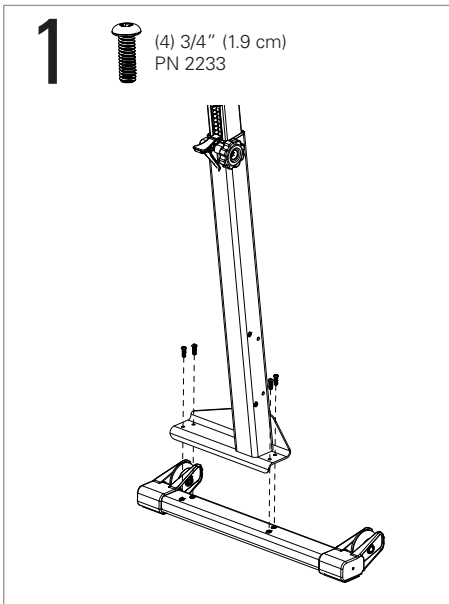
Contact Concept2 directly at 800.245.5676 (US and Canada)

Or visit us online: concept2.com

Concept2, Inc. 105 Industrial Park Drive Morrisville, Vermont USA 05661 concept2.com/contact

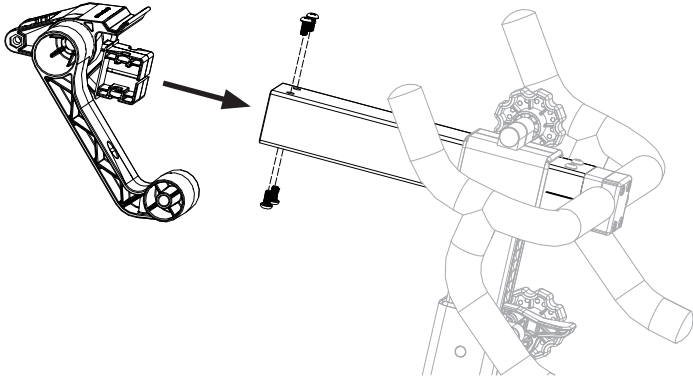


www.tuv.com
ID 111280666



8

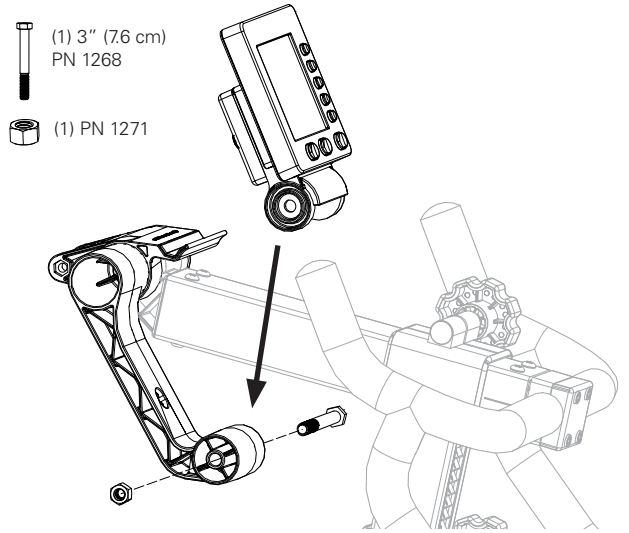
(4) 1/2" (1.3 cm)
PN 1299



9

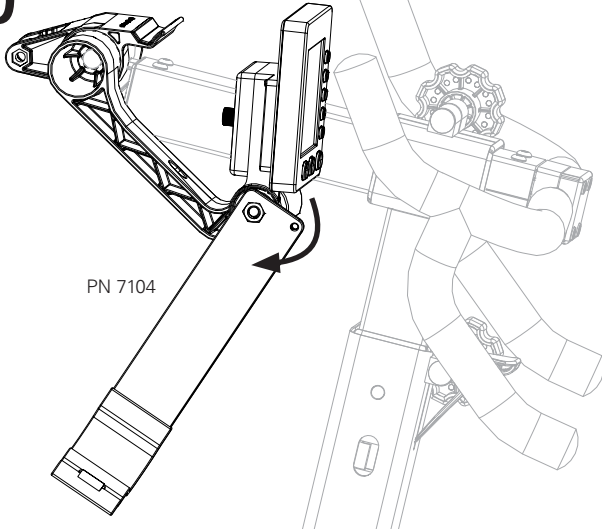
(1) 3" (7.6 cm)
PN 1268

(1) PN 1271



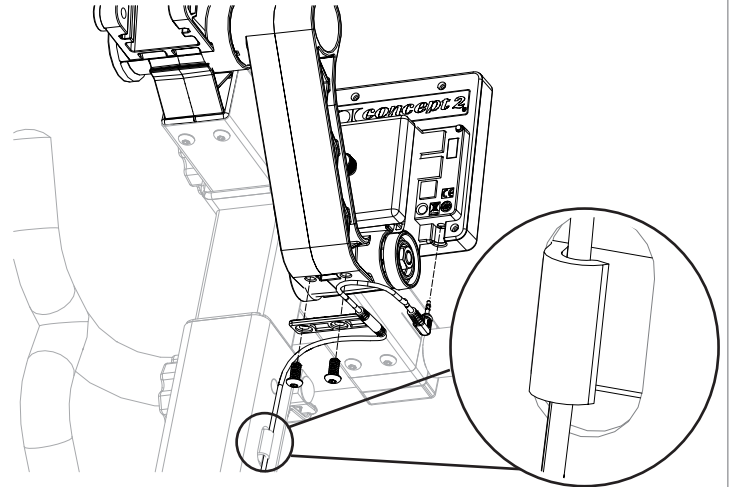
10

PN 7104



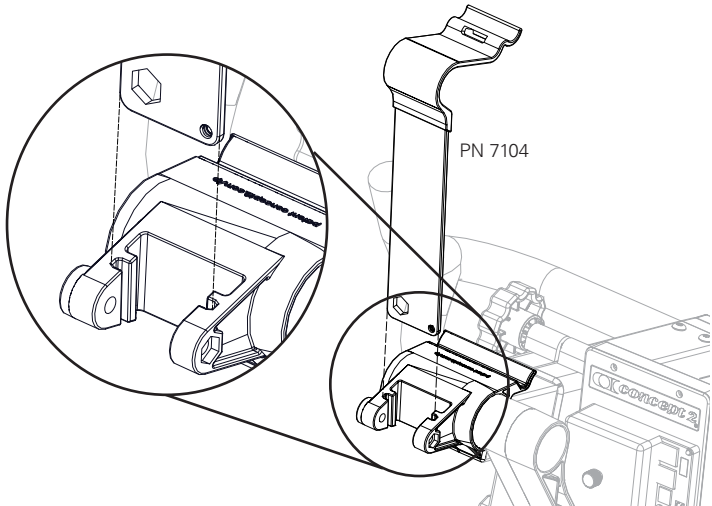
11

(2) 1/2" (1.3 cm)
PN 1299



12

PN 7104

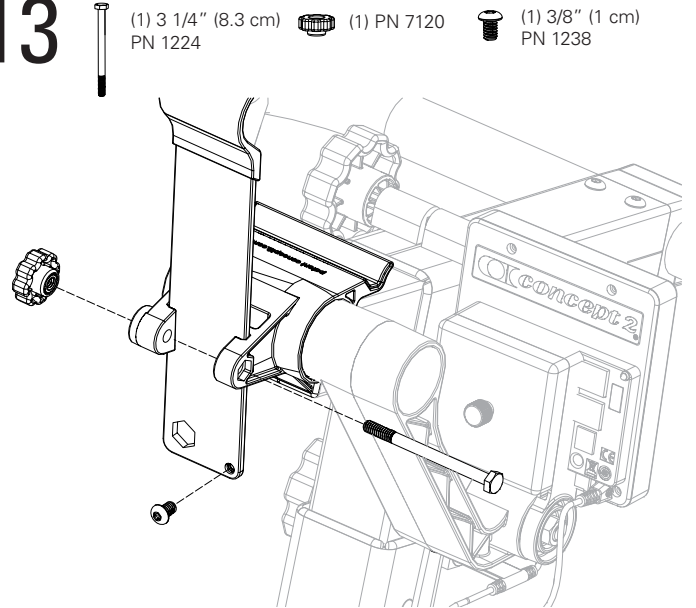


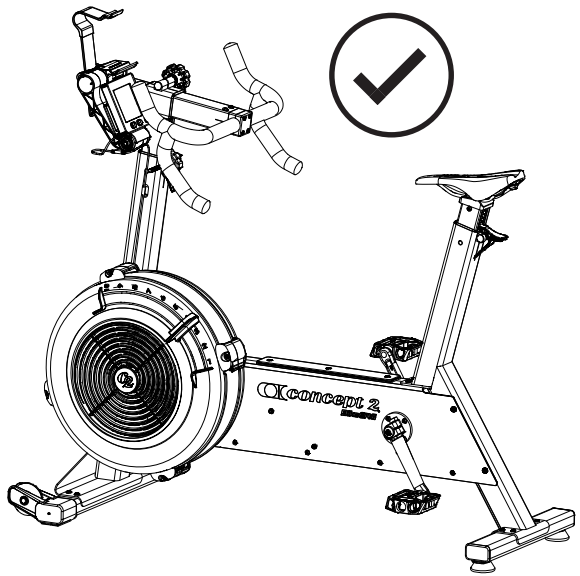
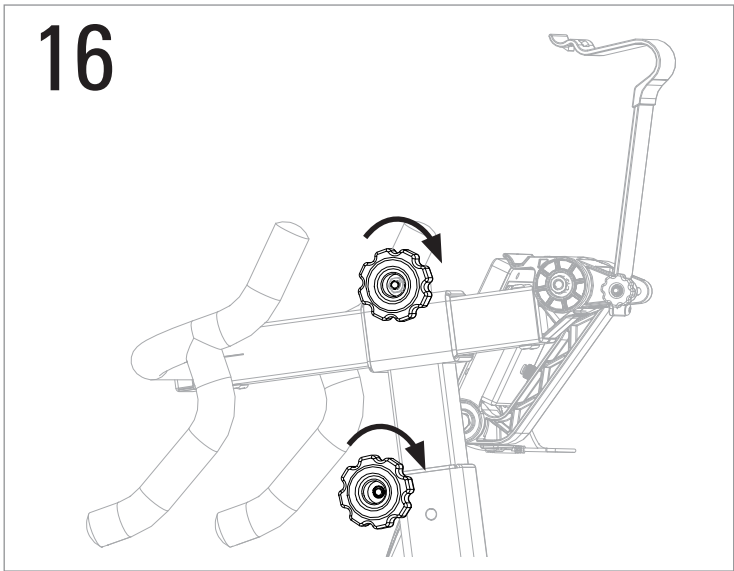
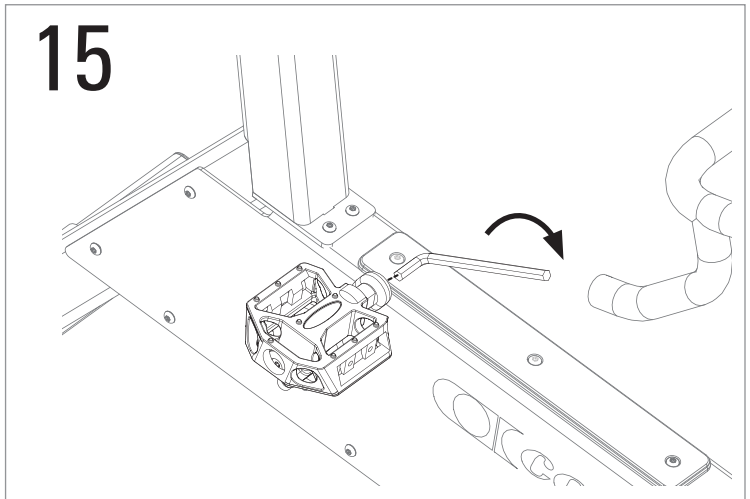
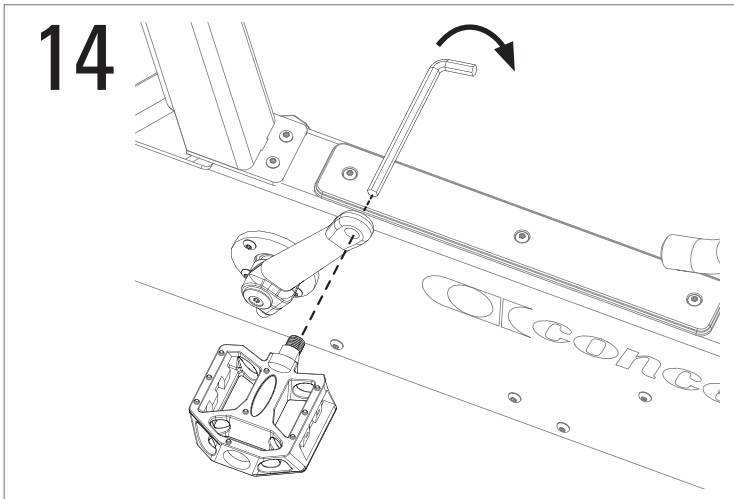
13

(1) 3 1/4" (8.3 cm)
PN 1224

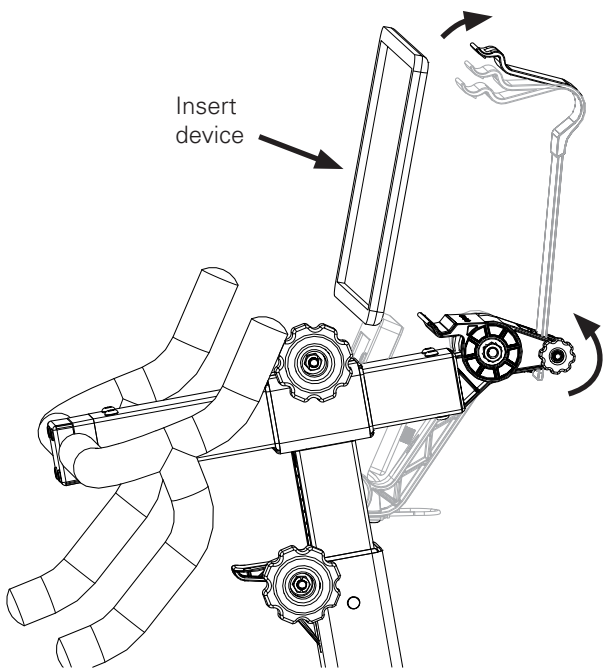
(1) PN 7120


(1) 3/8" (1 cm)
PN 1238





How to Use the Device Holder





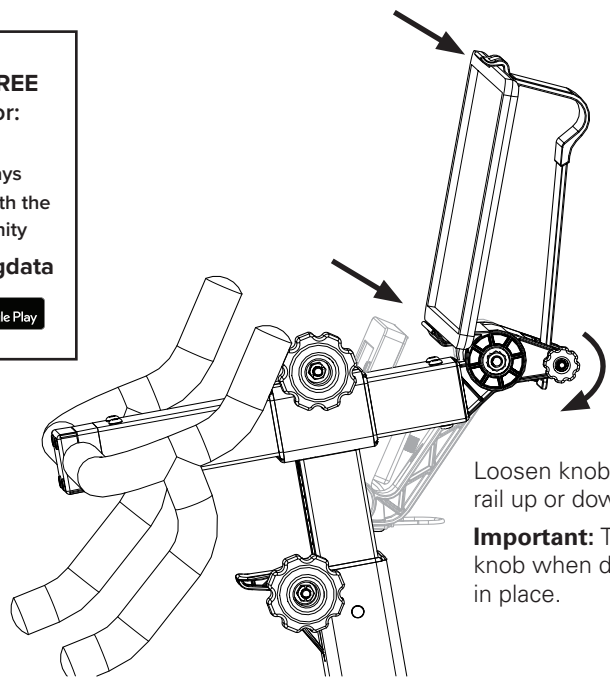


Download our **FREE**
ErgData app for:

- Workouts
- More data displays
- Real time rowing with the
Concept2 community

concept2.com/ergdata

 Download on the
App Store
  GET IT ON
Google Play



Loosen knob to slide rail up or down.

Important: Tighten knob when device is in place.