

# SLIDE BUNGEE REPLACEMENT AND RETROFIT INSTRUCTIONS

## Enclosed Parts:

- (2) Bungee Cord
- (2) Metal Z-Bracket
- (2) Plastic Sleeve
- (2) Self-Drilling Screw
- (2) #6 Nut and Screw
- (2) Plastic Strain Relief

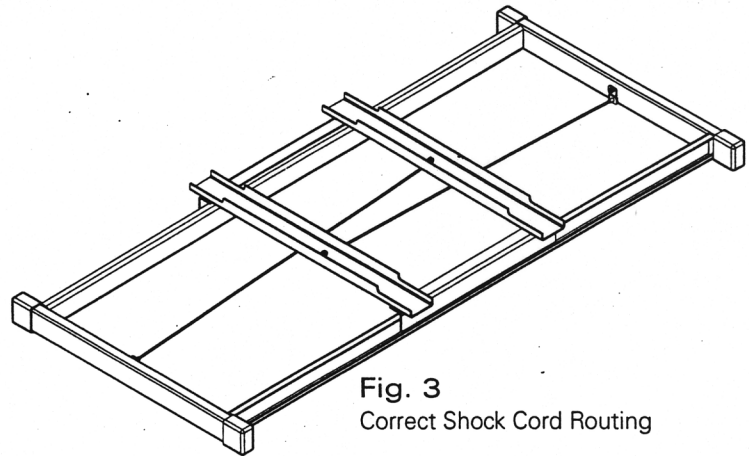


Fig. 3  
Correct Shock Cord Routing

For use with Concept2 Slides. Includes two elastic replacement shock cords and hardware necessary to anchor them to the Slide. Order one per Slide.

## Installation Instructions:

- 1) Remove the old bungee cord, noting how it is routed.
- 2) Measure and mark the locations for the two Z-Brackets. See Fig. 1.
- 3) Using an electric screwdriver and the self-drilling screws, attach the two Z-brackets to the Slide Base.
- 4) Install the plastic sleeves in the Z-brackets.
- 5) Tie a knot in one end of the bungee cords and thread them through the Plastic Strain Reliefs. See Fig. 2.
- 6) Attach the Plastic Strain Reliefs to the Carriage with the screws and nuts. See Fig. 2.
- 7) Route the bungee cord through the Z-brackets as shown in Fig. 3. Tie a knot in the end of the bungee cords.
- 8) Adjust the tension of the bungee cords such that:
  - a) On a level surface, the carriage comes to rest within 4" of the middle of the base.
  - b) One of the bungee cords goes slack when the carriage is moved 2-4" from the center of the base.

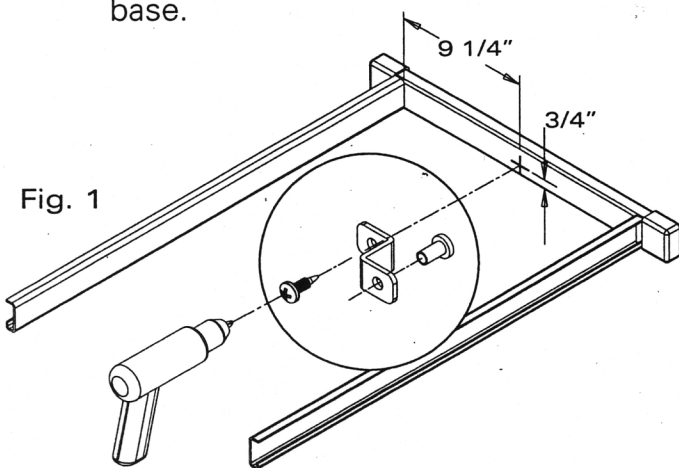


Fig. 1

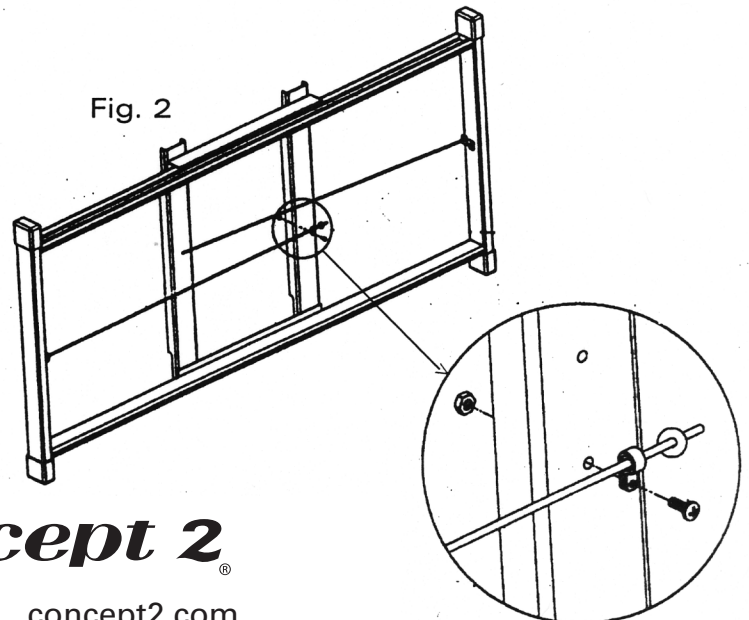


Fig. 2

 **concept 2**<sup>®</sup>

info@concept2.com concept2.com