

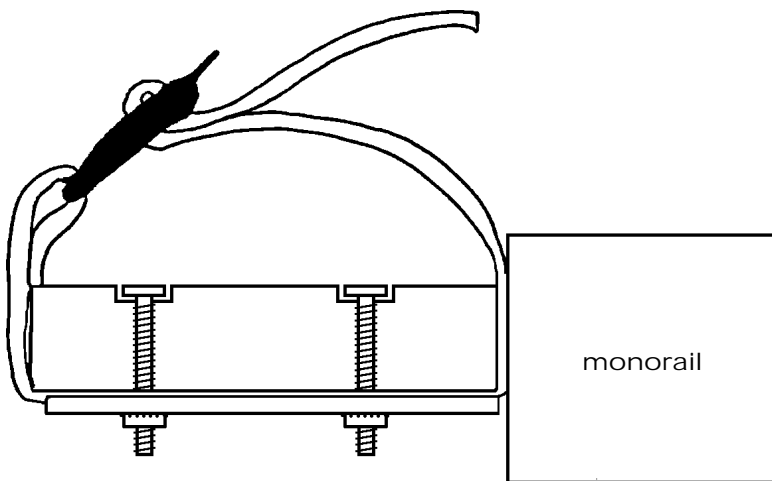
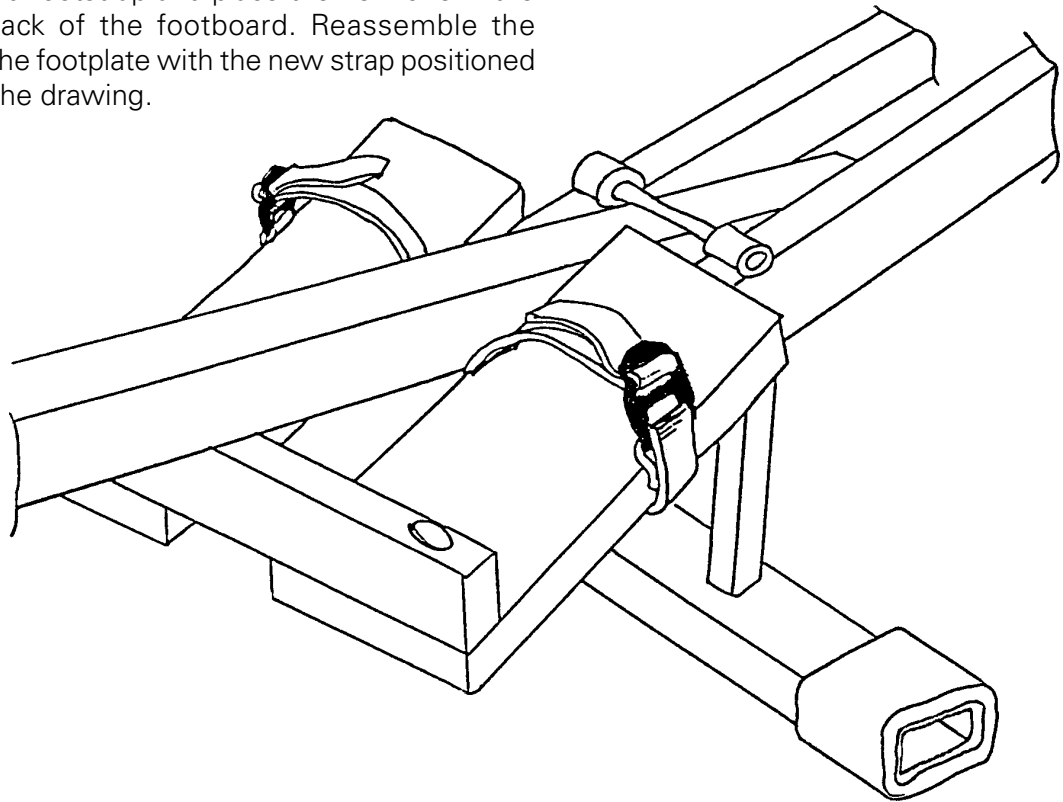
MODEL B FOOTSTRAP REPLACEMENT

Use PN178
TOOL NEEDED:
375mm or 3/8" wrench

concept 2[®]
ROWING
MORRISVILLE, VERMONT USA

TO REPLACE FOOTSTRAP:

Remove the screws (or bolts on newer machines) that hold the footboard to the metal footplate. You can now remove the old footstrap and place the new one in the slot in the back of the footboard. Reassemble the footboard to the footplate with the new strap positioned as shown in the drawing.



Note: If you have an older machine with screws, they will pass right through the footstrap. In newer machines with bolts, the strap will lie below the bolts.