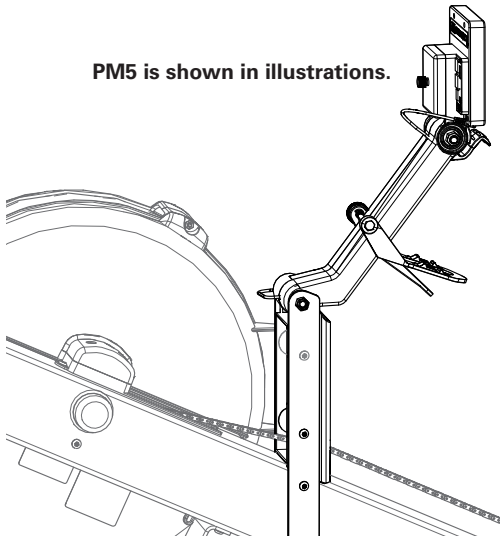
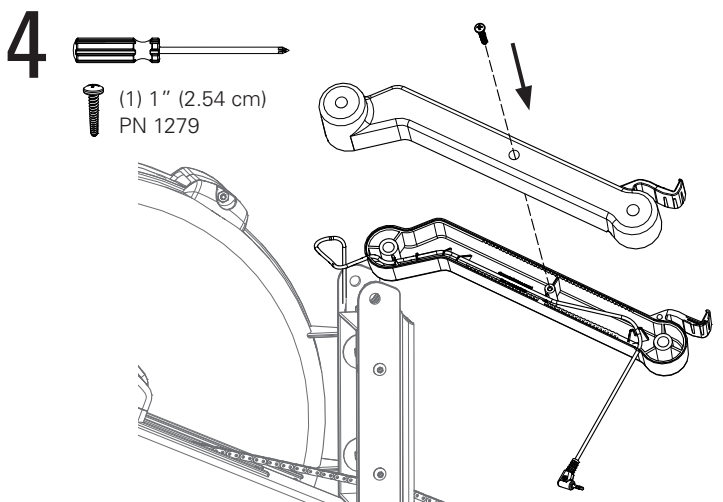
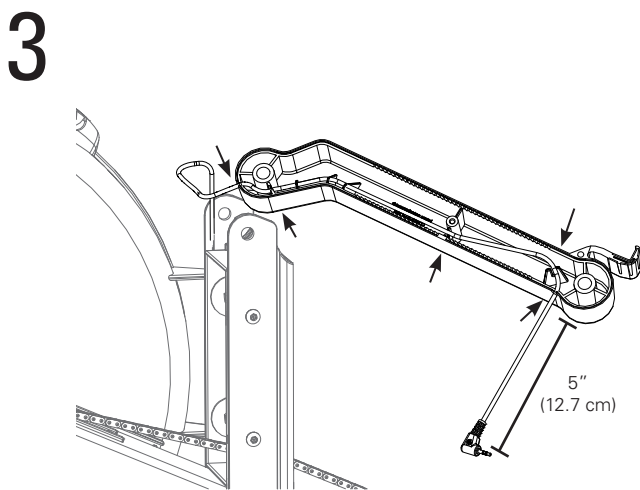
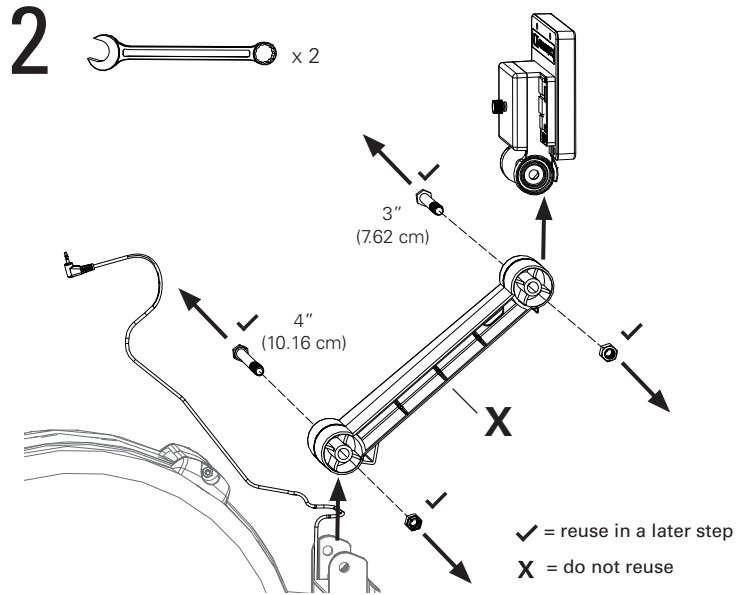
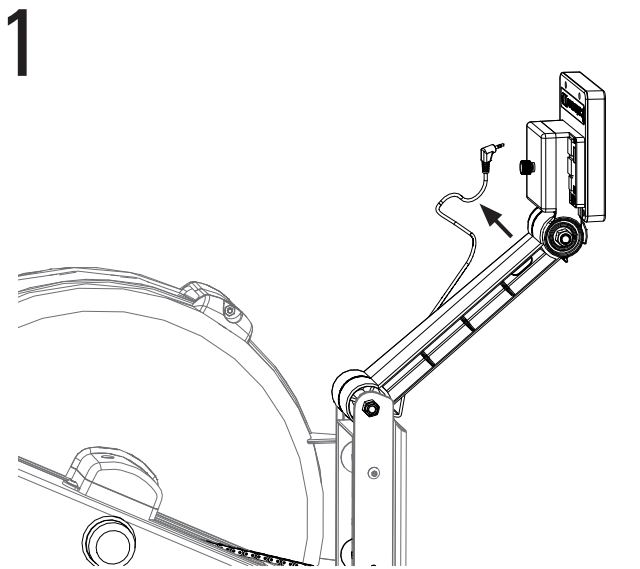
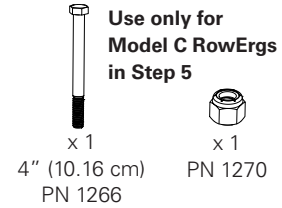
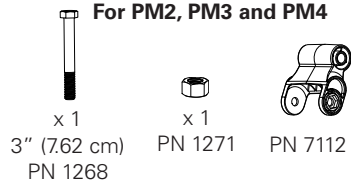
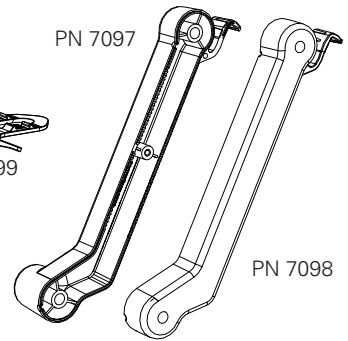
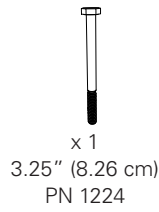


DEVICE HOLDER INSTALLATION FOR MODEL C/D ROWERG

PM5 is shown in illustrations.



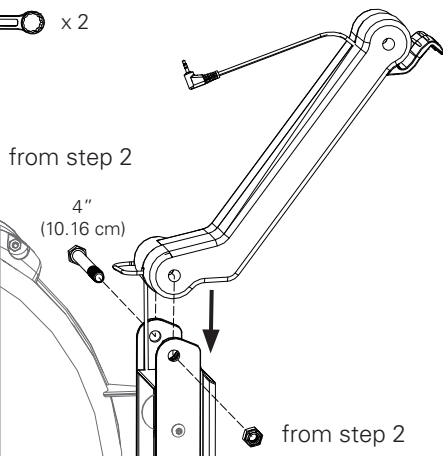
PARTS *not to scale



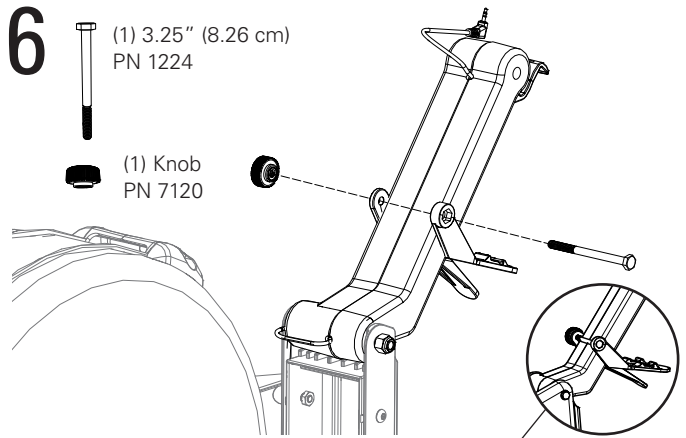
DEVICE HOLDER INSTALLATION FOR MODEL C/D ROWERG

5  x 2

Use only for Model C RowErg
 (1) 4" (10.16 cm) PN 1266
 (1) PN 1270

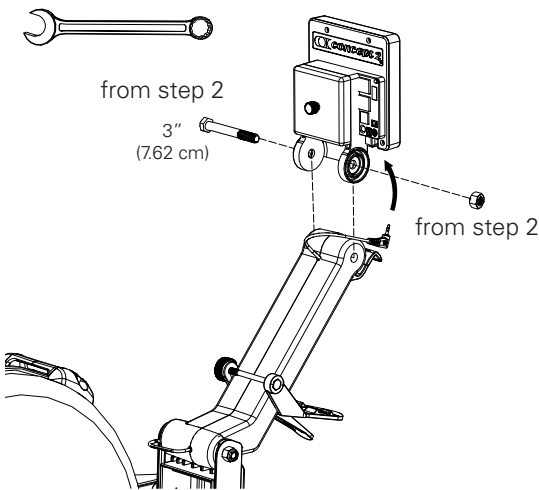


6 (1) 3.25" (8.26 cm) PN 1224
 (1) Knob PN 7120

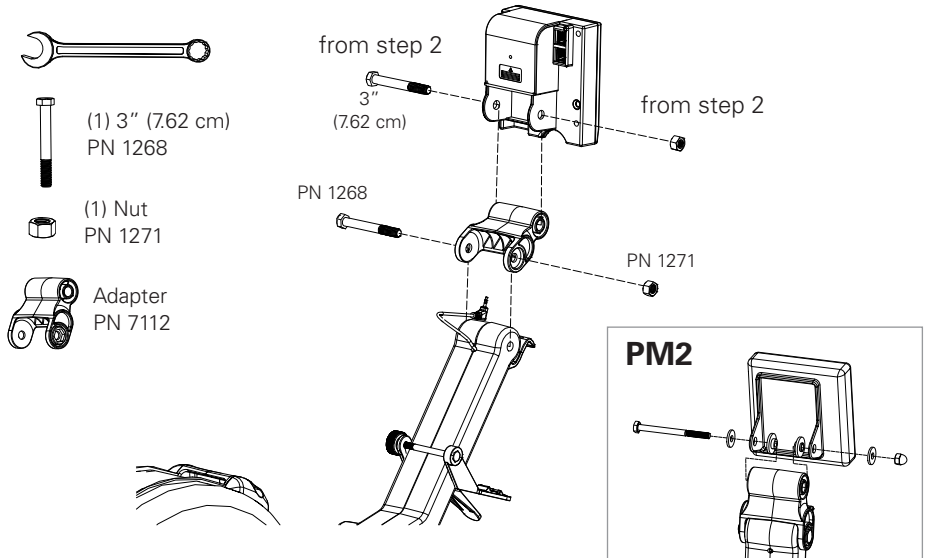


Note: PN 1224 goes behind the arm

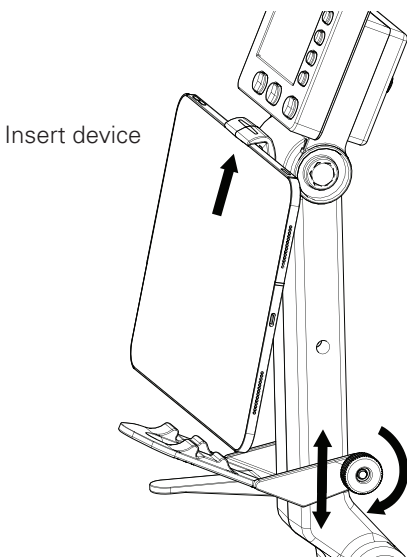
7 For PM5 only.



For PM2, PM3 and PM4 only.




How to Use the Device Holder



Insert device

Loosen knob to slide lower bracket up or down.



Important: Tighten knob when device is in place.



Download our **FREE ErgData** app for:

- Workouts
- More data displays
- Real time rowing with the Concept2 community

concept2.com/ergdata

Pinch and release to remove device.

